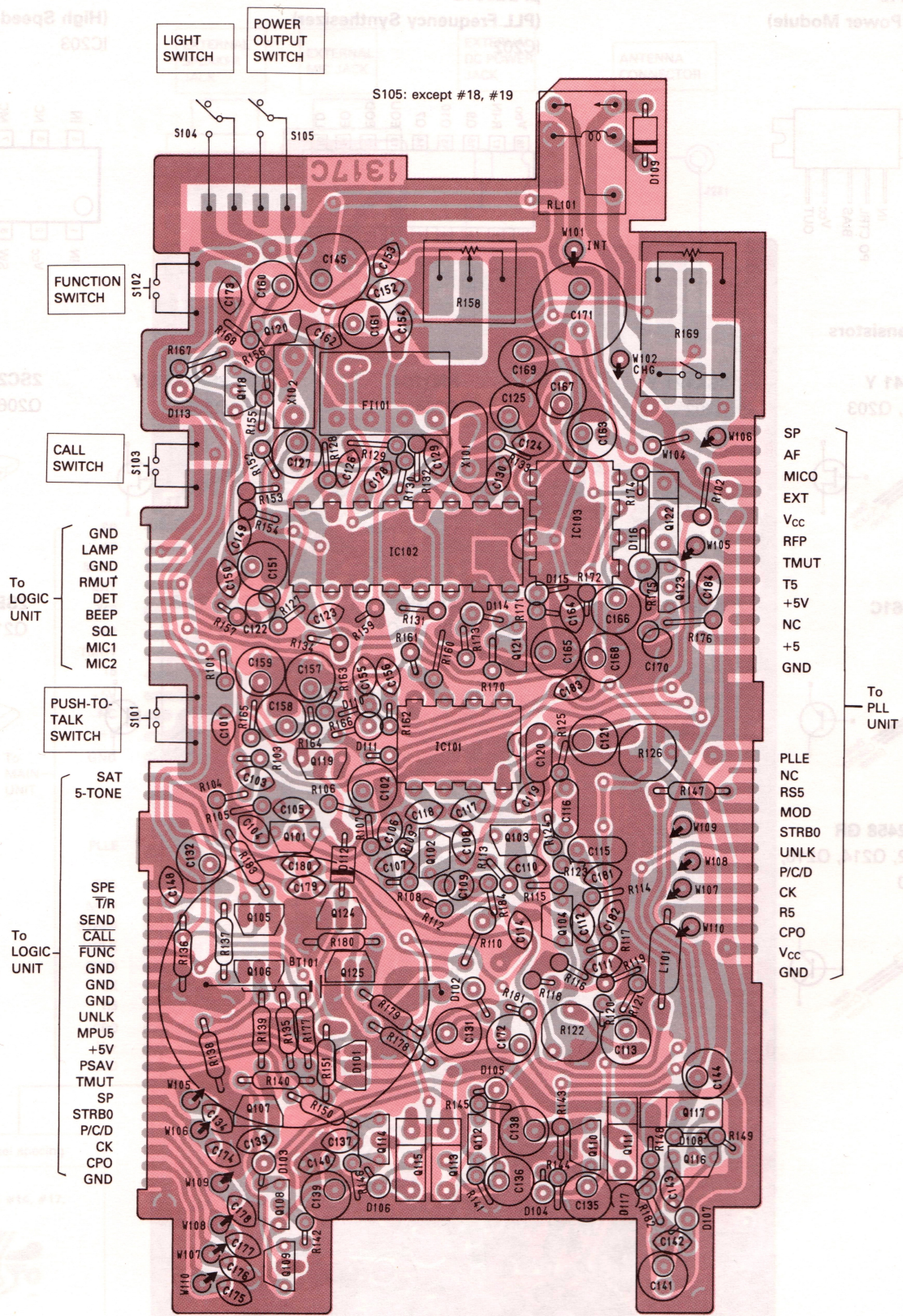


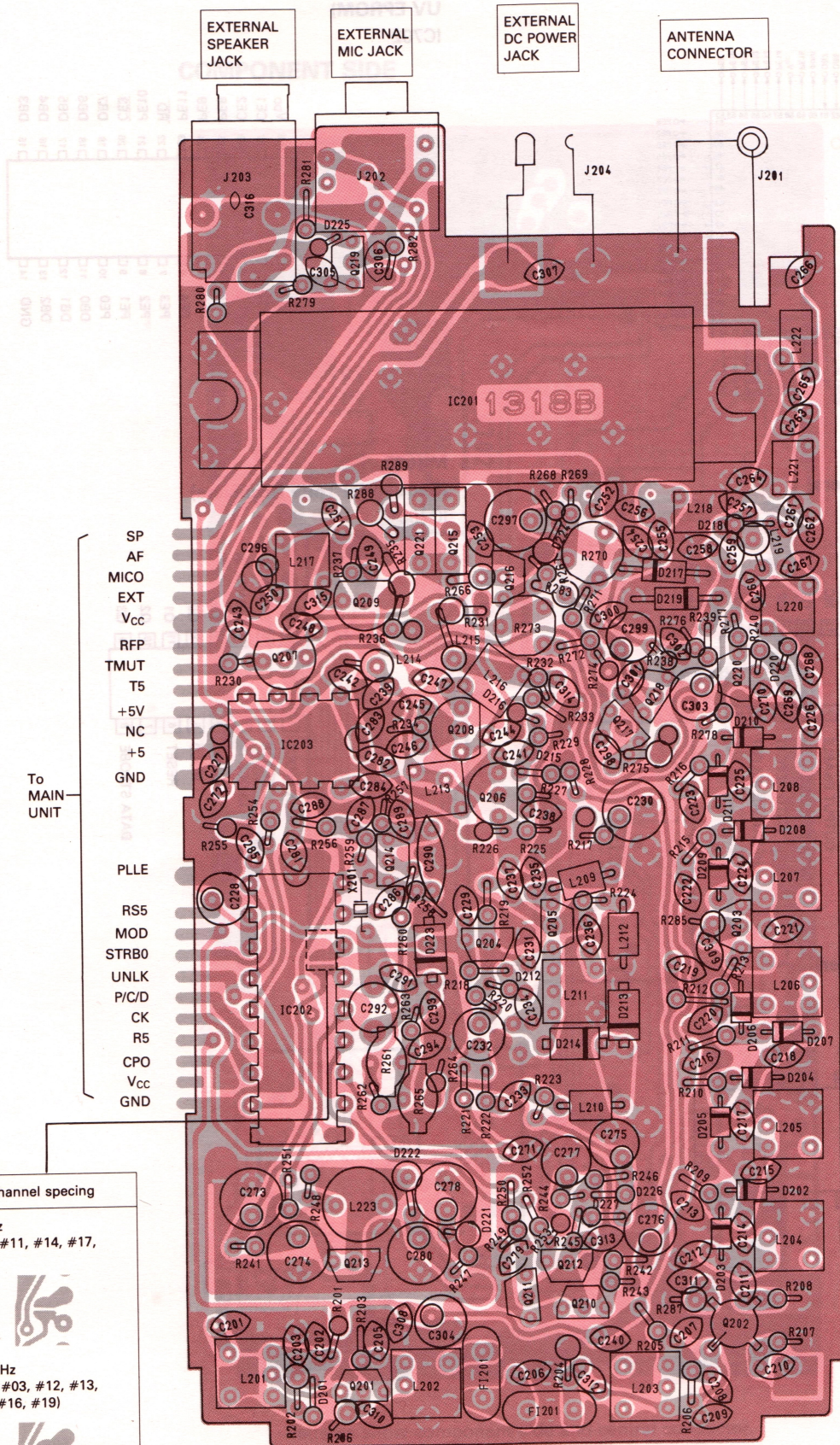
● MAIN UNIT

7-2 PLL UNIT




• PLL UNIT

7 - 3 - 1 LOGIC UNIT (COMPONENT SIDE)
 (#01, #02, #03)




Channel specing


25 kHz
 (#01, #11, #14, #17,
 #18)



12.5 kHz
 (#02, #03, #12, #13,
 #15, #16, #19)

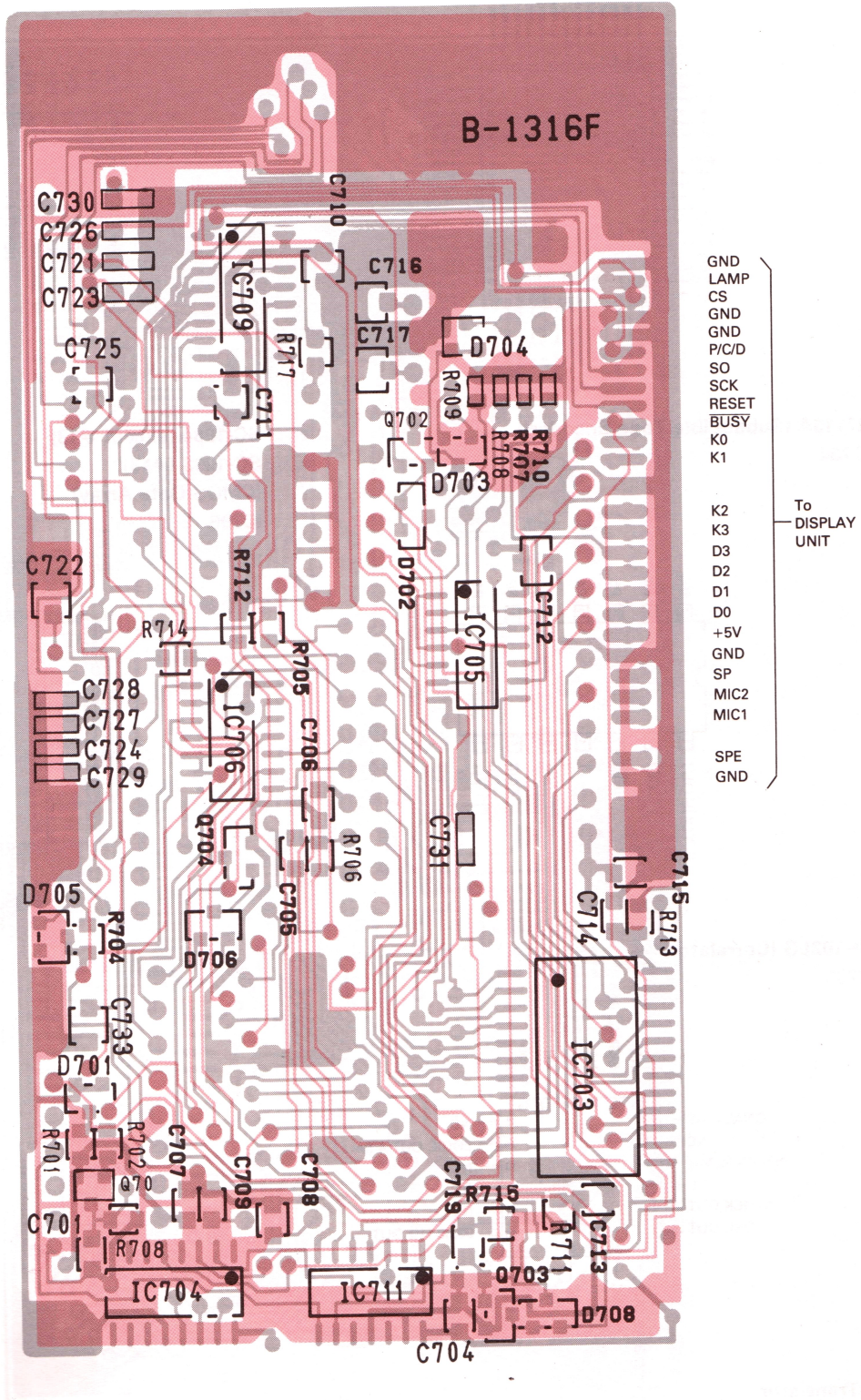


Solder



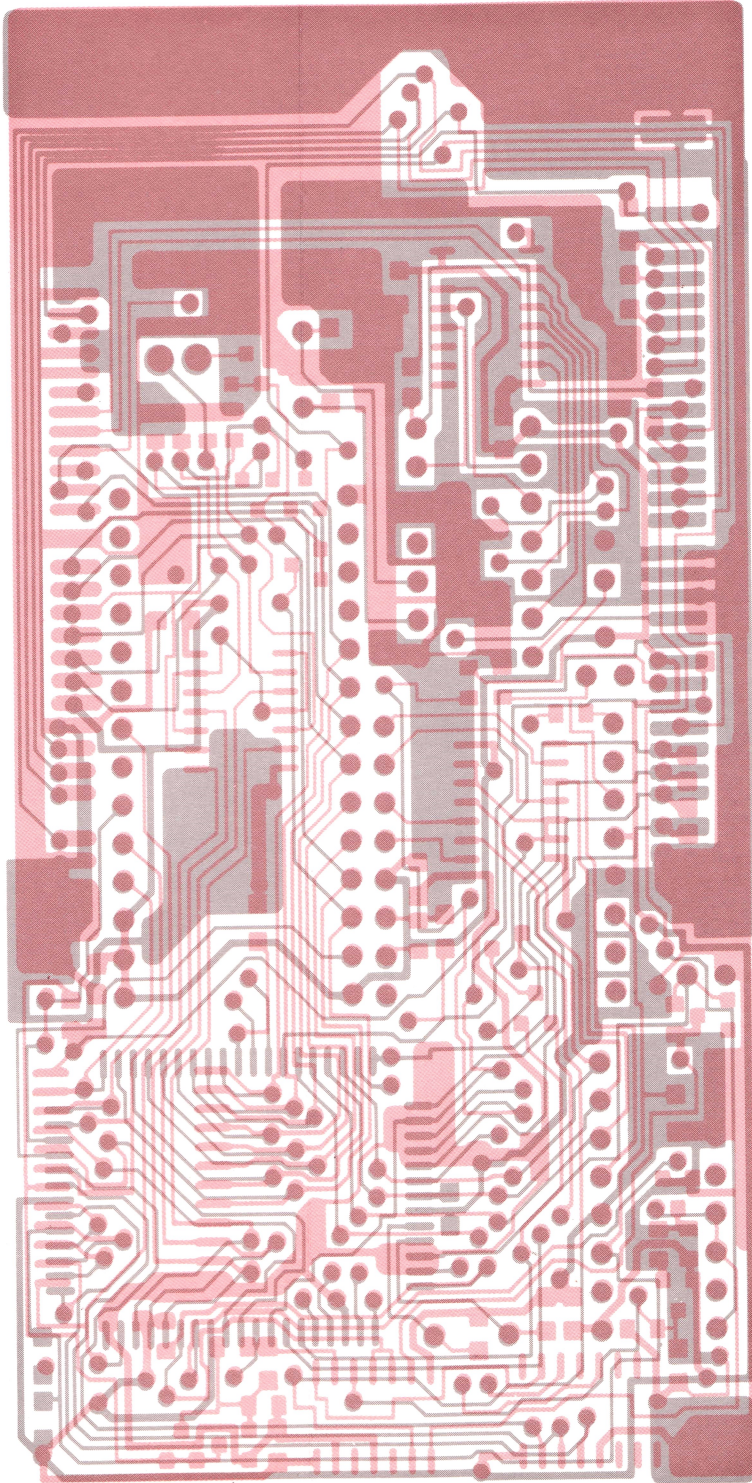
• LOGIC UNIT (#01, #02, #03)

FOIL SIDE



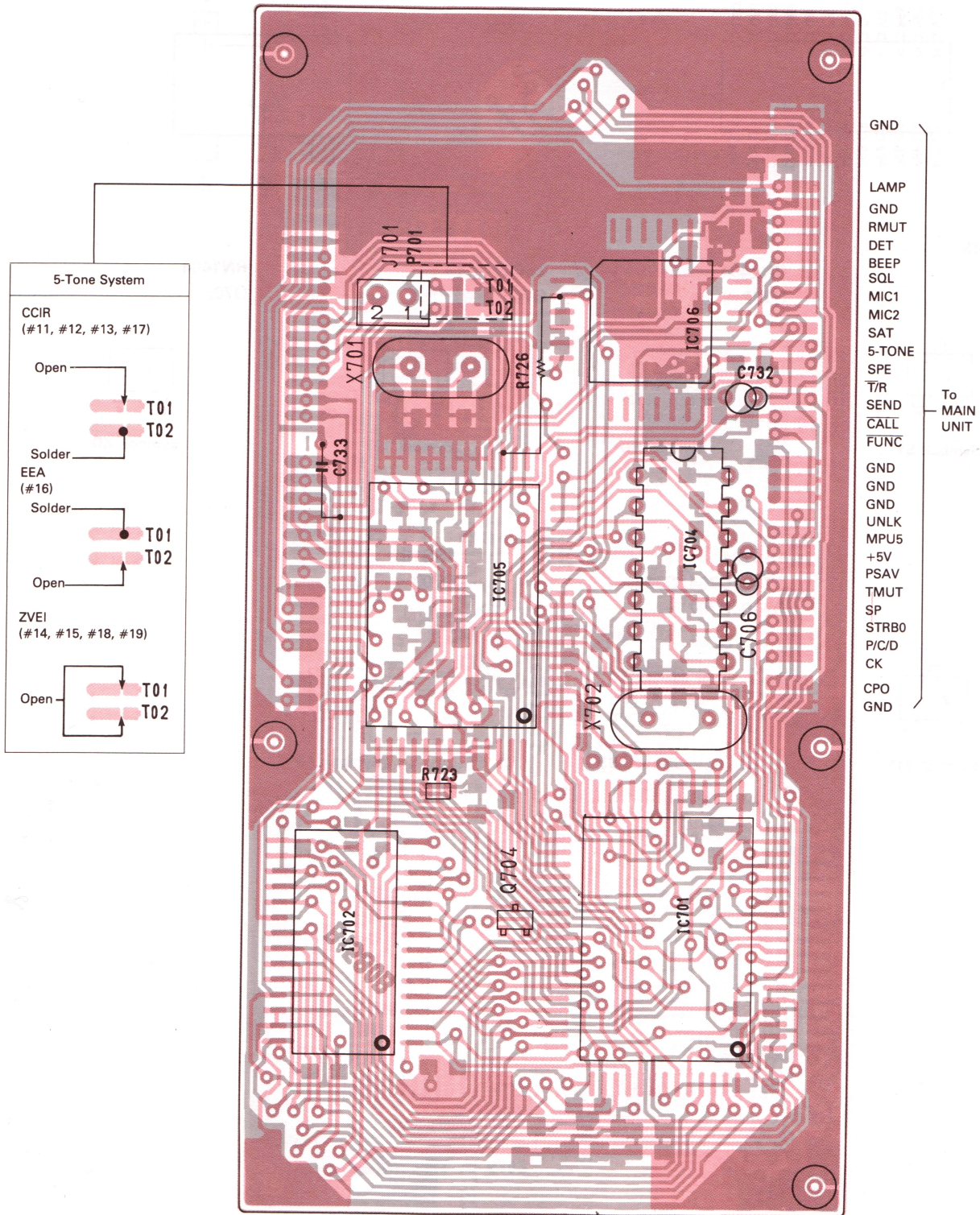
Patterns show foil side and central conductor.

COMPONENT SIDE AND FOIL SIDE PATTERNS



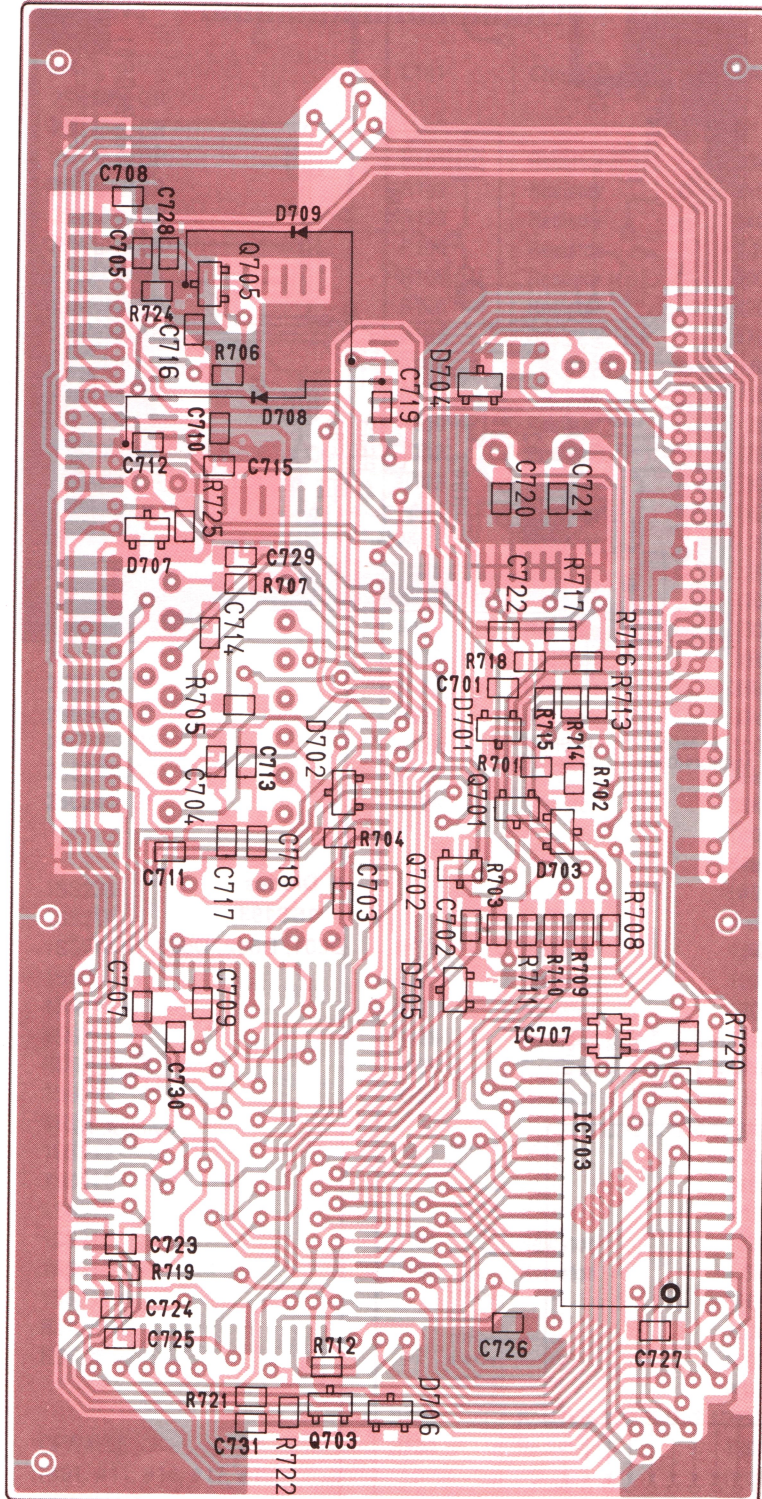
• LOGIC-A UNIT (#11, #12, #13, #14, #15, #16, #17, #18, #19)

COMPONENT SIDE



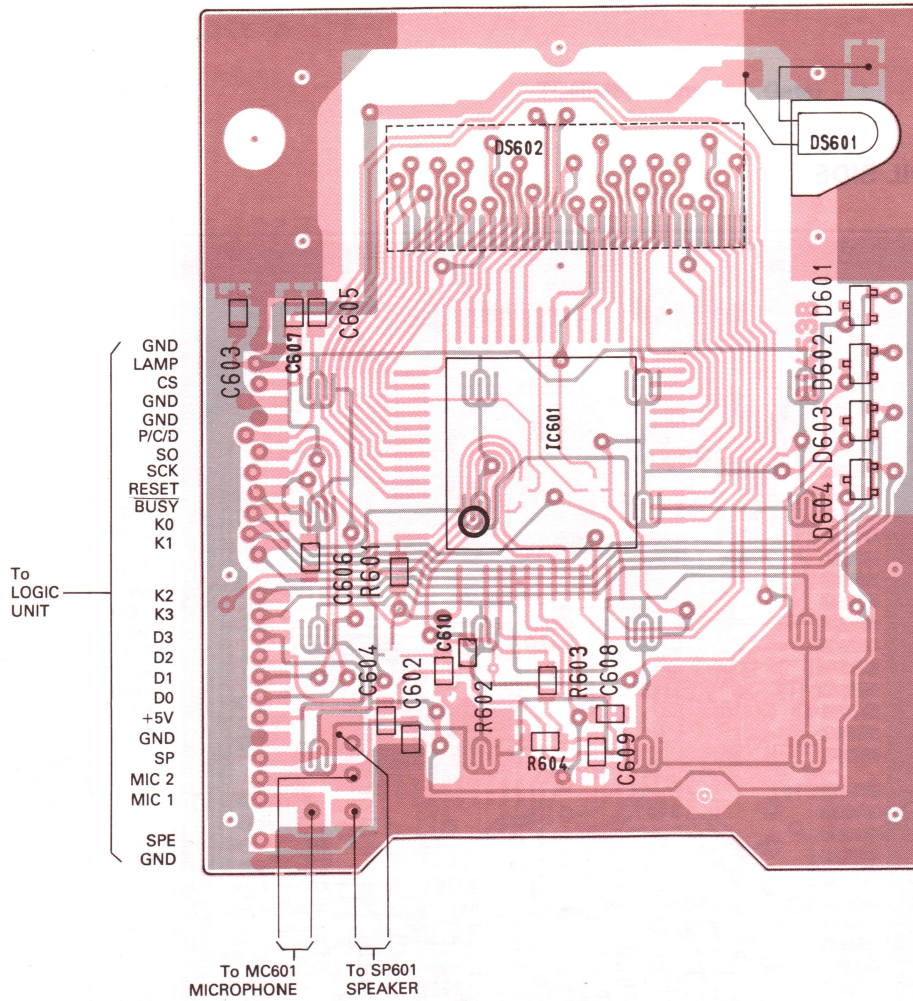
• LOGIC-A UNIT (#11, #12, #13, #14, #15, #16, #17, #18, #19)

FOIL SIDE



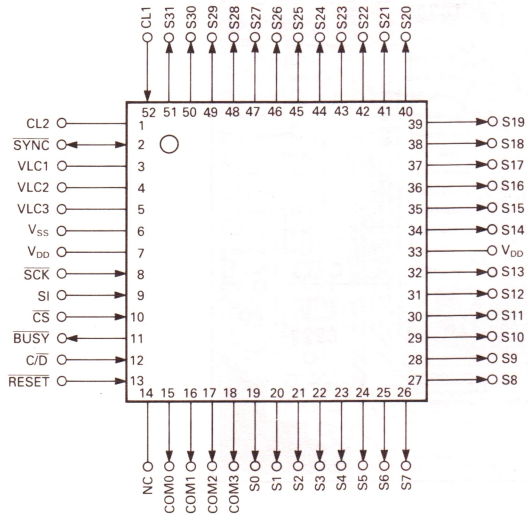
- GND
 - LAMP
 - CS
 - GND
 - GND
 - P/C/D
 - SO
 - SCK
 - RESET
 - BUSY
 - K0
 - K1
- To
DISPLAY
UNIT
- K2
 - K3
 - D3
 - D2
 - D1
 - D0
 - +5V
 - GND
 - SP
 - MIC2
 - MIC1
 - SPE
 - GND

7 - 5 DISPLAY UNIT



• **IC**
μPD7225G
(Programmable LCD Driver)
IC601

• **Diodes**
1SS193
D601, D602, D603, D604



Symbol: F3